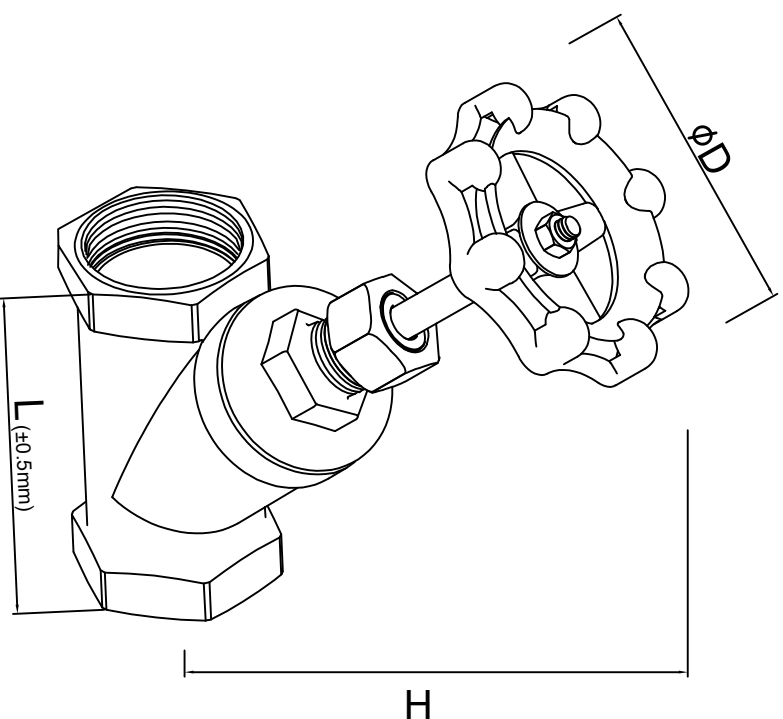
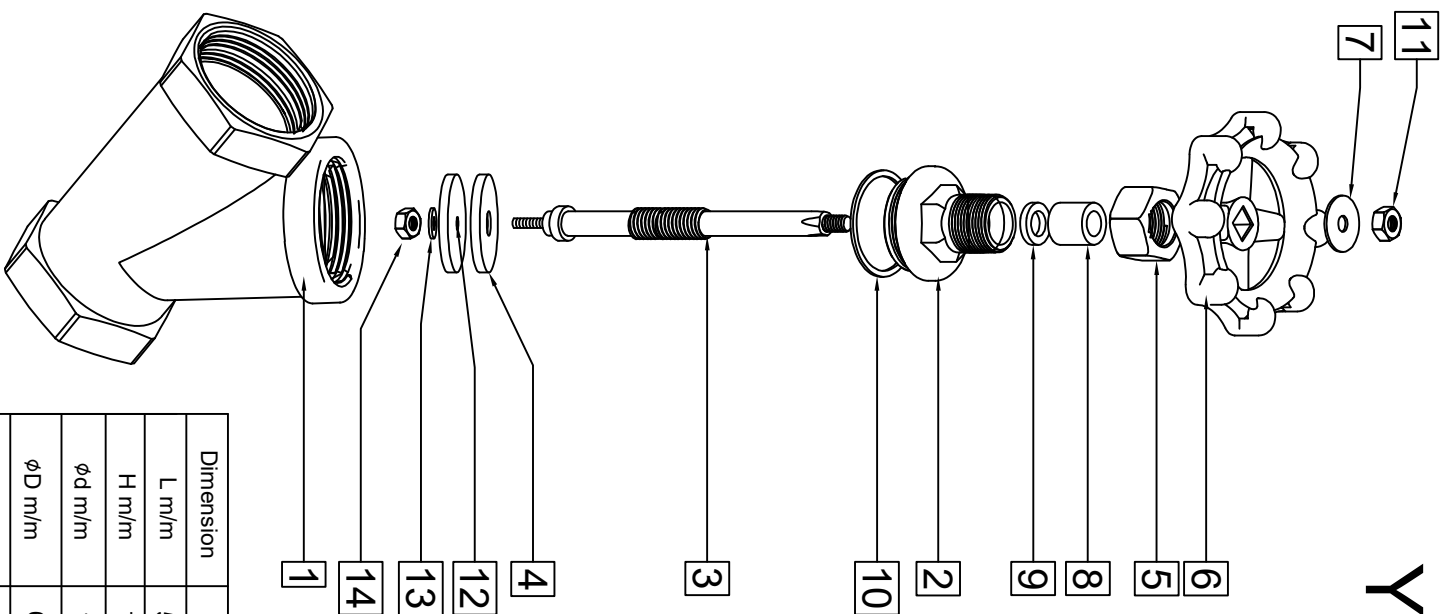


# Y-GLOBE VALVE 600



Dimension	1/4	3/8	1/2	3/4	1	1-1/4	1-1/2	2
L m/m	56.5	56.5	60.0	69.0	84.5	98.5	109.5	135.5
H m/m	79.0	79.0	95.5	99.0	111.0	122.0	128.0	148.0
φd m/m	11.0	14.0	18.0	23.0	29.0	37.0	43.5	55.0
φD m/m	61.0	61.0	61.0	61.0	77.0	83.0	83.0	95.0
Weight/kgs	0.25	0.22	0.36	0.46	0.69	0.98	1.23	2.00

## SPECIFICATIONS

- .Size Range 1/4"-2"
- .Working Pressure: 600PSI
- .Working Medium: Water, Oil, Gas
- .Working Temperature: -10°C ~ 160°C
- .Female Threaded End

No	Part	Q'ty	Material
1	Body	1	316; CF8M
2	Cap	1	316; CF8M
3	Stem	1	316; CF8M
4	Disc	1	316; CF8M
5	Cap Nut	1	304; 316
6	Handling Wheel	1	Aluminum
7	Spin Washer	1	Aluminum
8	Gland Washer	1	304; 316
9	Stem Packing	1	Teflon
10	Gasket	1	Teflon
11	Nut	1	304
12	Disc Sealing	1	Teflon
13	Disc Washer	1	304; 316
14	Disc Nut	1	304; 316