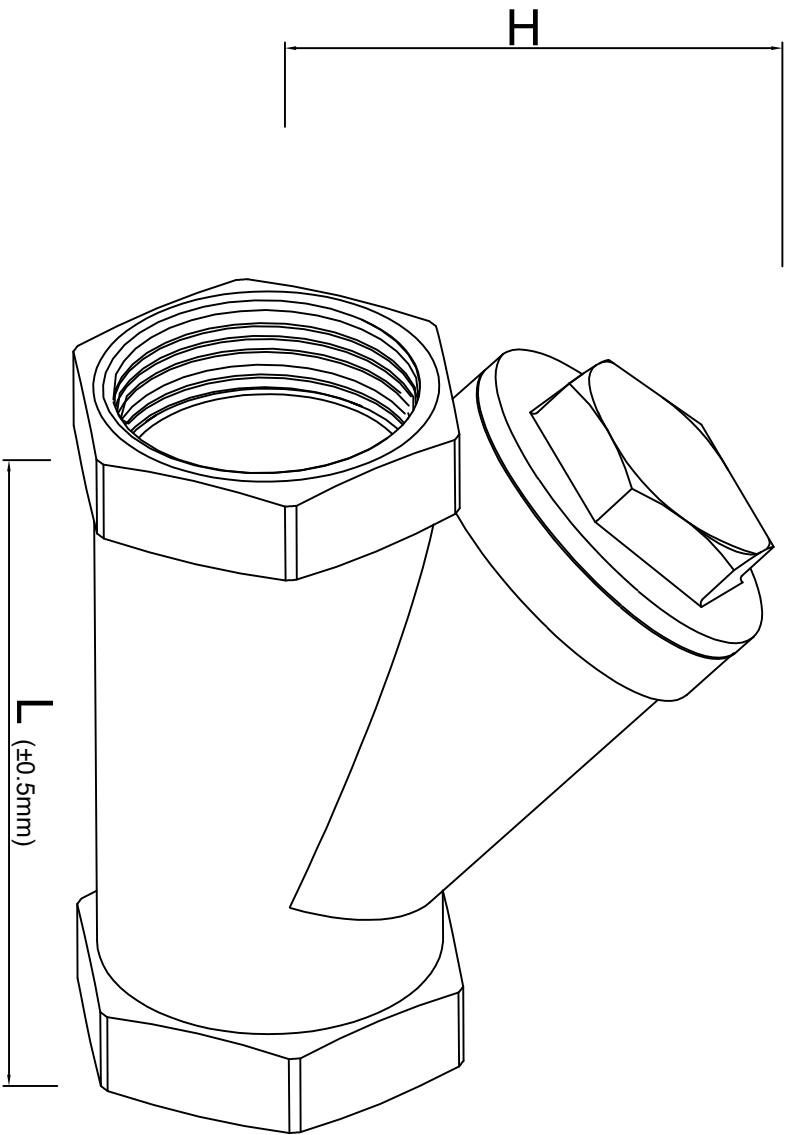


Y-SPRING CHECK VALVE

SPECIFICATIONS

- .Size Range: 1/4"-3"
- .Working Pressure: 600 PSI
- .Working Medium: Water, Oil, Gas
- .Working Temperature: -10°C~160°C
- .Female Threaded End



No	Part	Qty	Material
1	Body	1	316;CF8M
2	Nut	1	304;316
3	Disc Washer	1	304;316
4	Disc	1	Teflon, Viton
5	Disc Bonnet	1	316;CF8M
6	Spring	1	304;316
7	Gasket	1	Teflon
8	Cap	1	316;CF8M

Valve Size	1/4	3/8	1/2	3/4	1	1-1/4	1-1/2	2	2-1/2	3
L m/m	56.5		60.0	69.0	84.5	98.5	109.5	135.5	169.0	195.0
H m/m	35.0		38.5	43.5	51.5	60.5	70.0	86.0	110.0	130.0
D m/m	11.0	14.0	18.0	23.0	29.0	37.0	43.5	55.0	67.5	83.0
Weight/kgs	0.17	0.14	0.22	0.34	0.53	0.82	1.12	1.91	3.60	5.00