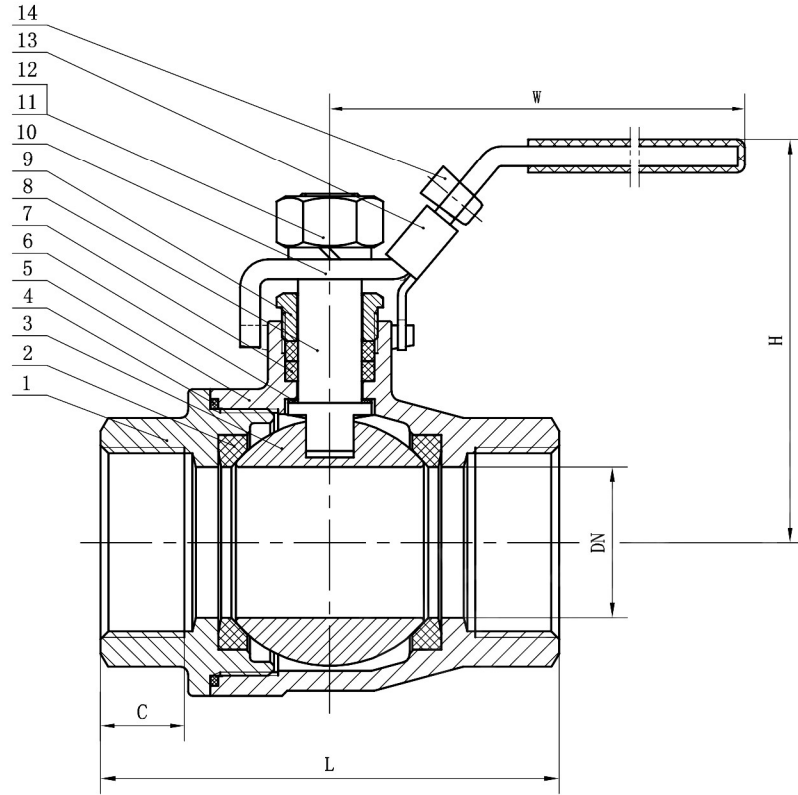


WQ-2T2-2000WOG



SIZE (inch)	DN	L	W	H	C	Torque N.M	CV
1/4"	10.5	58	100	58	11	6	10
3/8"	10.5	58	100	58	12	6	10
1/2"	15	65	120	62.5	13.5	8	13
3/4"	20	73	135	67	14.5	12	32
1"	25	86	160	80.5	17.5	18	60
1 1/4"	32	100	160	85.5	19	23	115
1 1/2"	38	115	180	102	21	28	185
2"	48	134	180	110	23	53	305
2 1/2"	65	165	260	133	28	78	410
3"	78	190	260	143	30	115	630
4"	98	230	330	165	33	142	1100

Main Technical Parameter			
Normal pressure	2000	WOG	
Test pressure	Shell test pressure	20.7	MPa
	Tightness test	15.2	
	Gas-tightness test	0.6	
Max working temperature	-29~180	°C	
Applicable medium: water, gas, oil, acid			

TECHNICAL SPECIFICATION

- 1 Basic design and manufacture according to ANSI B16.34;
- 2 Adjustable packing gland, Bottom-loaded blow-out proof stem;
- 3 NPT Threaded ends complied with ANSI B 1.20.1;
- 4 Rc, Rp&G Threaded ends complied with BS 21/2779, DIN 259/2999, ISO 228 are upon request;
- 5 Inspection and tested according to API598.

No.	Parts name	Material	No.	Parts name	Material
1	End cap	ASTM A351 CF8M	8	Stem	ASTM A276 316
2	Seat	RPTFE	9	Packing gland	ASTM A276 304
3	Ball	ASTM A276 F316	10	Handle	ASTM A276 304
4	Gasket	PTFE	11	Spring washer	ASTM A276 304
5	Body	ASTM A351 CF8M	12	Handle nut	ASTM A276 304
6	Stem gasket	PTFE	13	Handle lock	ASTM A276 304
7	Packing	PTFE	14	Pin	Plastic

WQ-2T2-2000WOG				2PC THREADED BALL VALVE ASSEMBLY DIAGRAM		2PC THREADED BALL VALVE FULL PORT	
WQ-2T2-2000WOG							