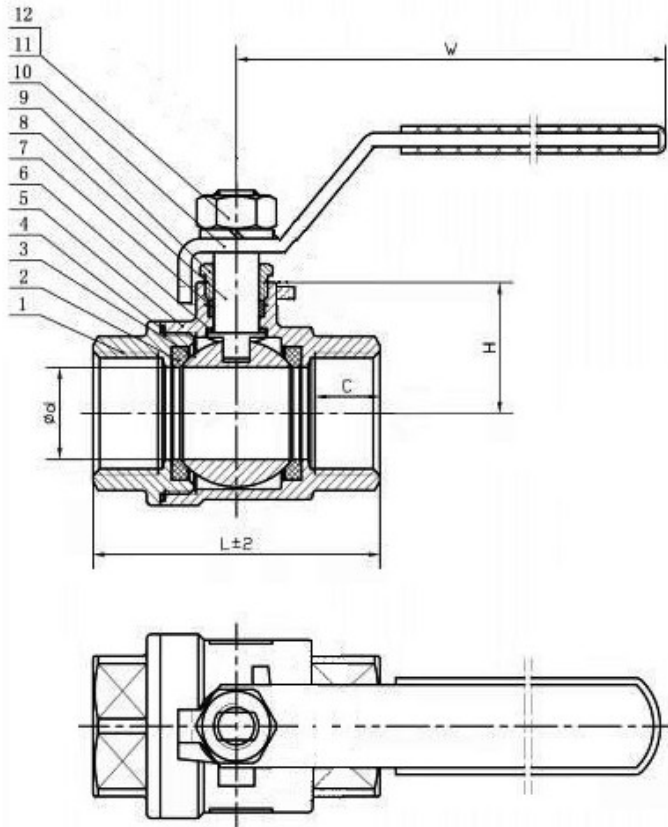


00-80001-12V 1/4"-4" A21-1000R-00

**MATERIAL: 316 / CF8M**



SIZE (inch)	Ød	L	H	W	C
1/4	11	50	20.5	92	11
3/8	12	50	20.5	92	11
1/2	15	55	26	93	12
3/4	20	65	29	107	13
1	25	75	34	115	16
1 1/4	32	82	42	142	16
1 1/2	38	95	48.5	168	16
2	49	110	56	168	16
2 1/2	65	138	78	237	23
3	76	164	85	237	26
4	98	206	105	295	28

No.	Parts name	Material	No.	Parts name	Material
1	End cap	316 / CF8M	9	Stem	316 / CF8M
2	Seat	PTFE	10	Handle	ASTM A276 304
3	Ball	316 / CF8M	11	Spring washer	ASTM A276 304
4	Gasket	PTFE	12	Handle nut	ASTM A276 304
5	Body	316 / CF8M	13		
6	Stem gasket	PTFE	14		
7	Packing	PTFE	15		
8	Packing gland	ASTM A276 304	16		

Main Technical Parameter		
Normal pressure	4.0	MPa
Test pressure	Shell test pressure	6.0
	Tightness test	4.4
	Gas-Tightness test	0.6
Max working temperature	-20~100	℃
Applicable medium: water, gas, oil, acid		

**TECHNICAL SPECIFICATION**

- 1 Basic design and manufacture according to ANSI B16.34;
- 2 Adjustable packing gland, Bottom-loaded blow-out proof stem;
- 3 NPT Threaded ends complied with ANSI B 1.20.1;
- 4 Rc, Rp&G Threaded ends complied with BS 21/2779,
- DIN 259/2999, ISO 228 are upon request;
- 5 Inspection and tested according to API598;

借(通)用件登记
插图
描校
图底图总号
底图总号
签字
日期

		1/4"-4" A21-1000R			
		2PC BALL VALVE			
标记处数		更改文件号		签字 日期	
设计	标准化	图样标记	数量	重量	比例
校对	审定				
审核	批准				
工艺	日期	共 页	第 页	1/4"-4" A21-1000R-00	